



MODEL B1315

ICE STORAGE BIN



FEATURES

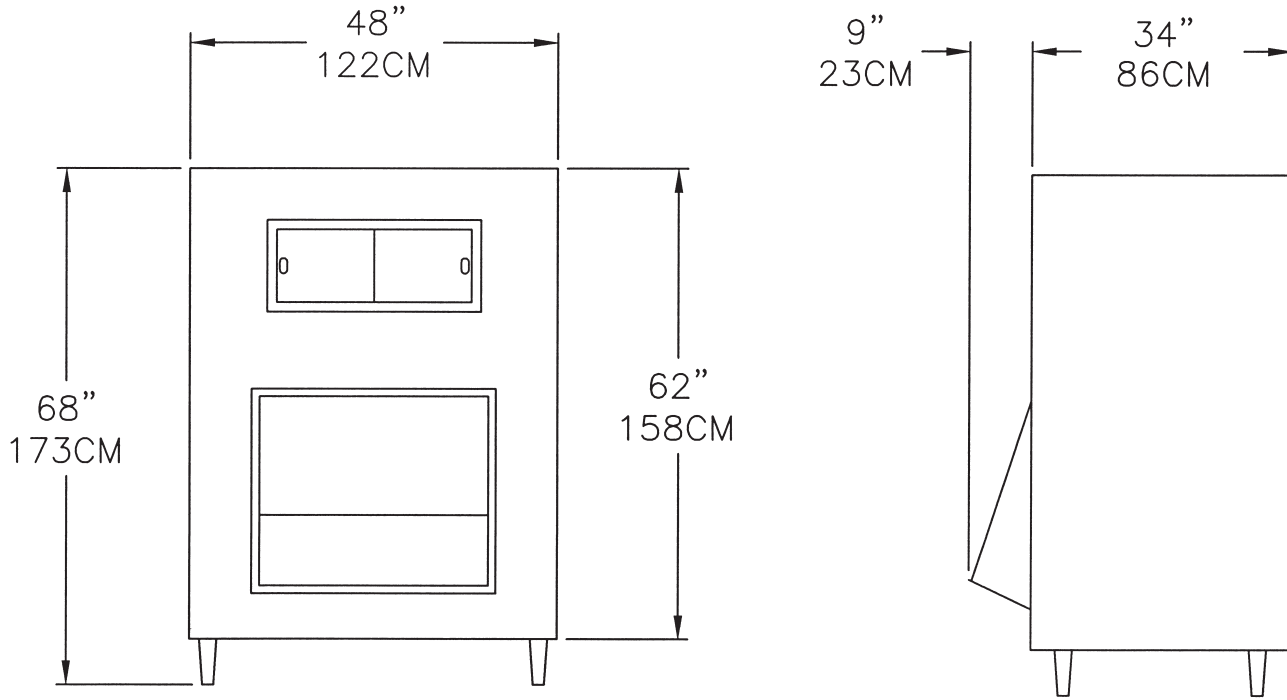
Durable - Corrosion free stainless steel cabinet

Ease access - Front door design

High impact - polyethylene lining

Instant inspection - View window

Strong - Fully gasketed bin



ARI CERTIFIED STORAGE CAPACITY*	ICE APPLICATION STORAGE CAPACITY	EMPTY WEIGHT	SHIPPING WEIGHT
1160 lb (526.2 kg)	1315 lb (596.5 kg)	325 lb (147 kg)	360 lb (164 kg)

* Certified in accordance with ARI Standard 820-88

PART NUMBER	DESCRIPTION	ICE MAKER APPLICATION
569200172	Ice Storage Bin B1315SBB	*1448, 1848 and 2148 Cuber Series

*Bin adapter included

TECHNICAL SPECIFICATIONS

DRAIN CONNECTION 1" (3 cm) fitting can be adapted to plastic, copper or galvanized drain line

CABINET FINISH: B1315SBB . . . Stainless steel exterior with polyethylene bin liner

WARRANTY 1 year parts and labor

AGENCY LISTINGS  

